

6

5

4

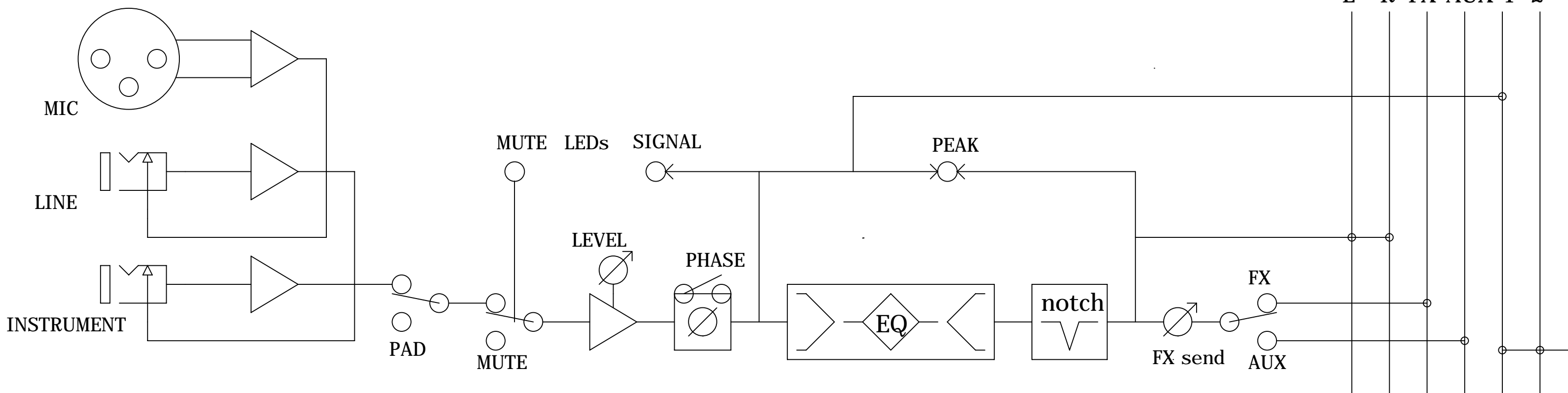
3

2

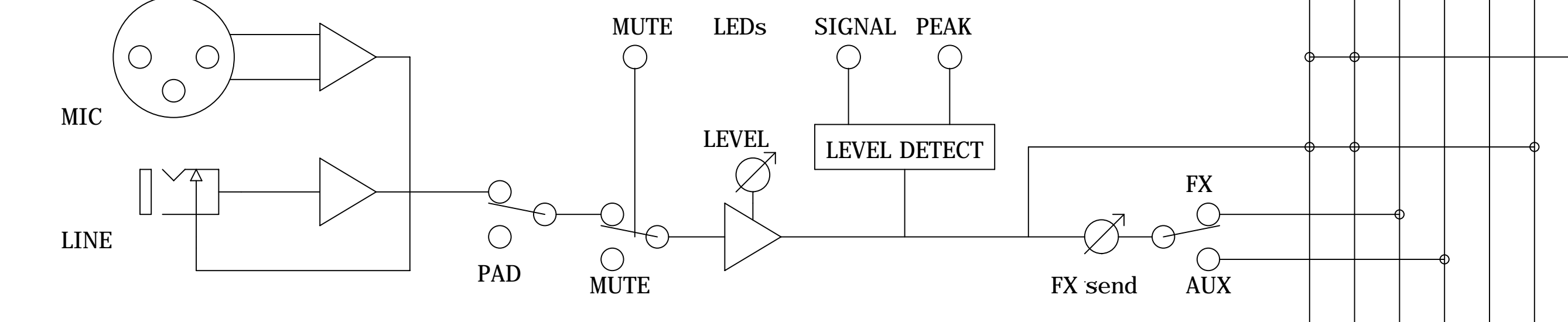
1

REVISION RECORD			
LTR	ECO NO.	APPROVED:	DATE:

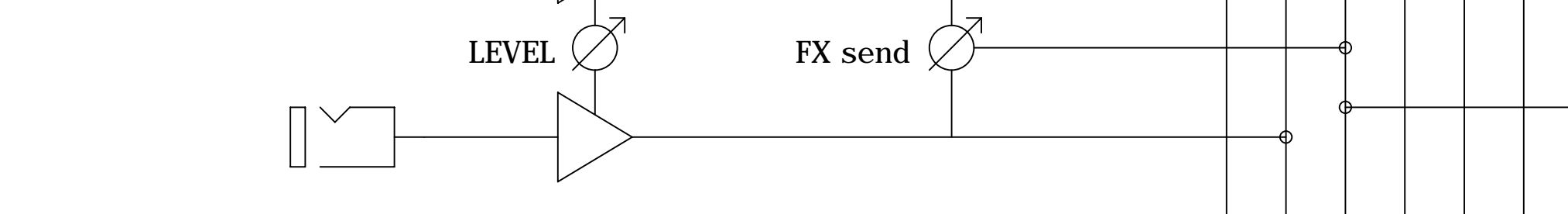
CHAN 1



CHAN 2



CHAN 3/4



AUX IN



BLUE TOOTH

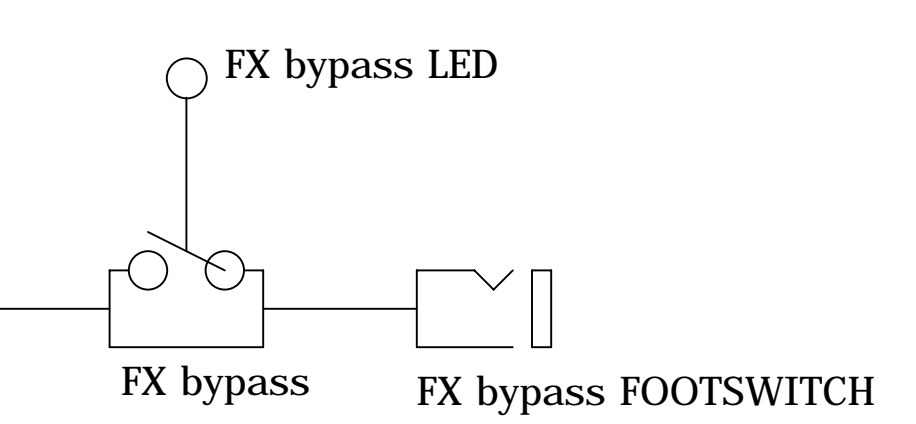
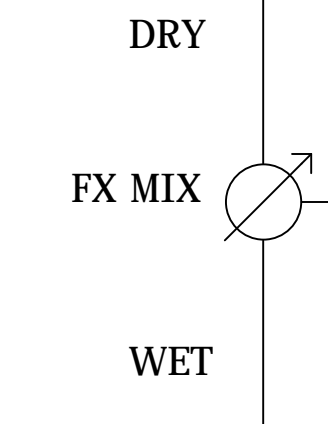
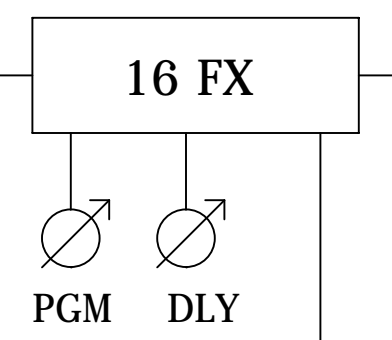
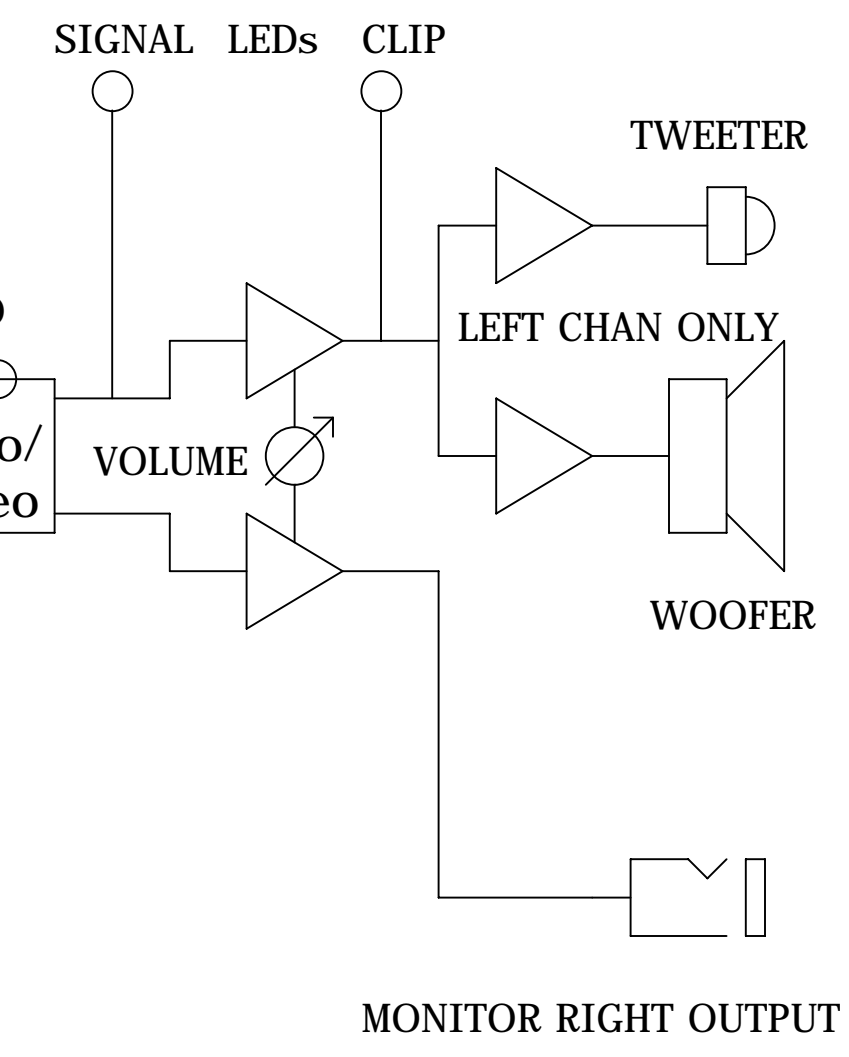
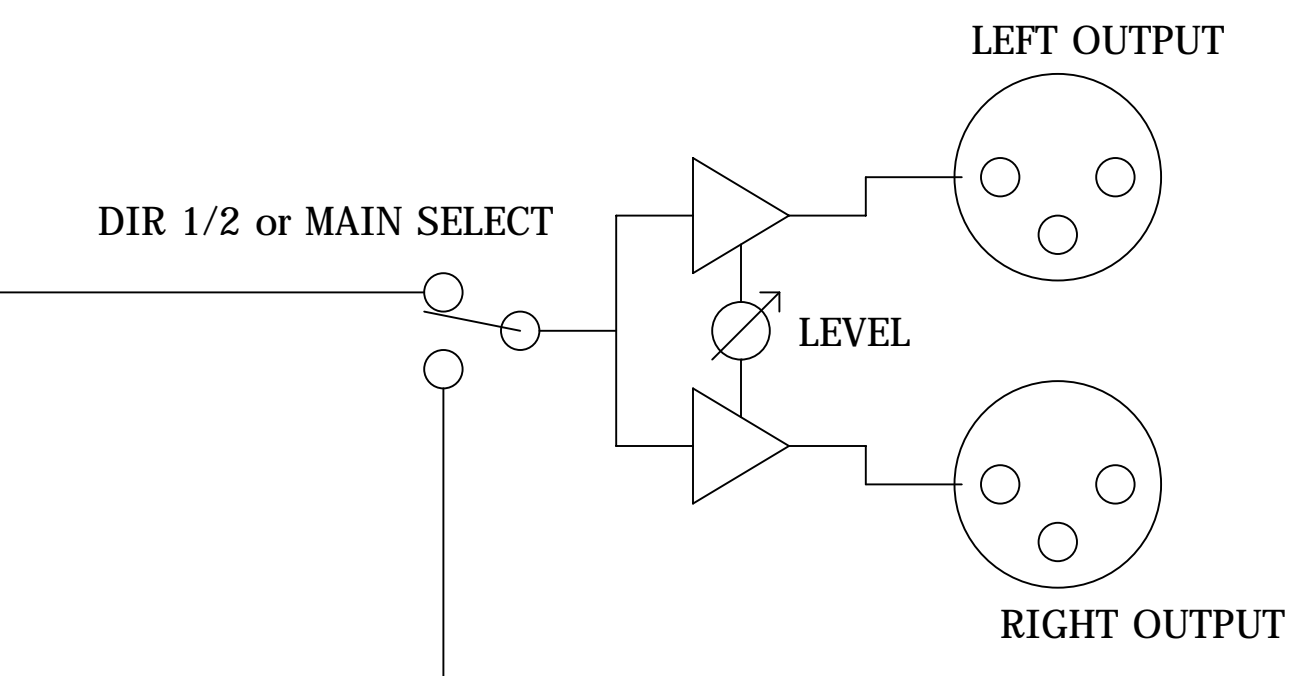


RETURN

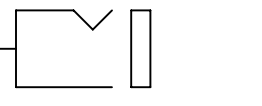


DIR OUT

L R FX AUX 1 2



AUX SEND



DRAWN: <Drawn By>	DATED: 03_01_17
CHECKED: <Checked By>	DATED: <Checked Date>
QUALITY CONTROL: <QC By>	DATED: <QC Date>
RELEASED: <Released By>	DATED: <Release Date>

COMPANY: ELITE ACOUSTICS			
TITLE: A2 BLOCK DIAGRAM			
CODE: A2	SIZE: D	DRAWING NO: 000	REV: xA
SCALE: <Scale>			SHEET: 1 OF 1