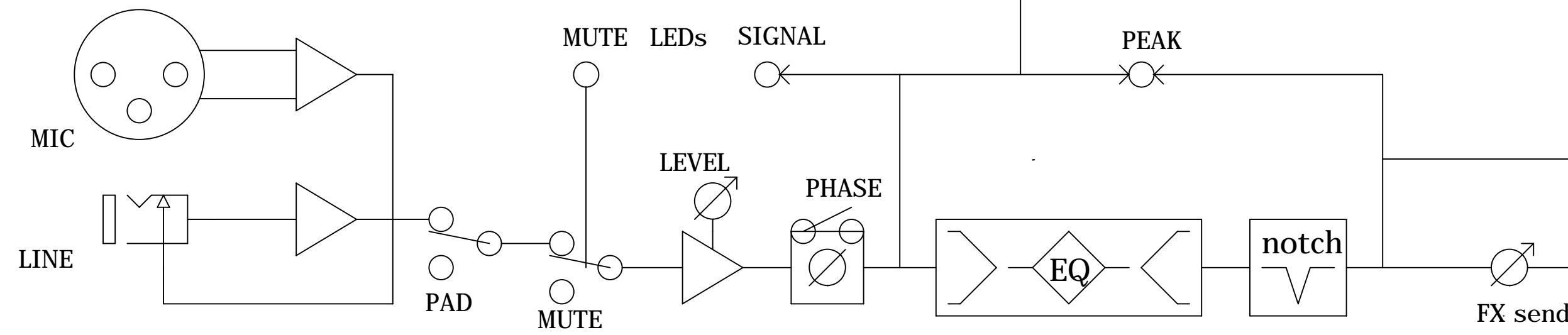
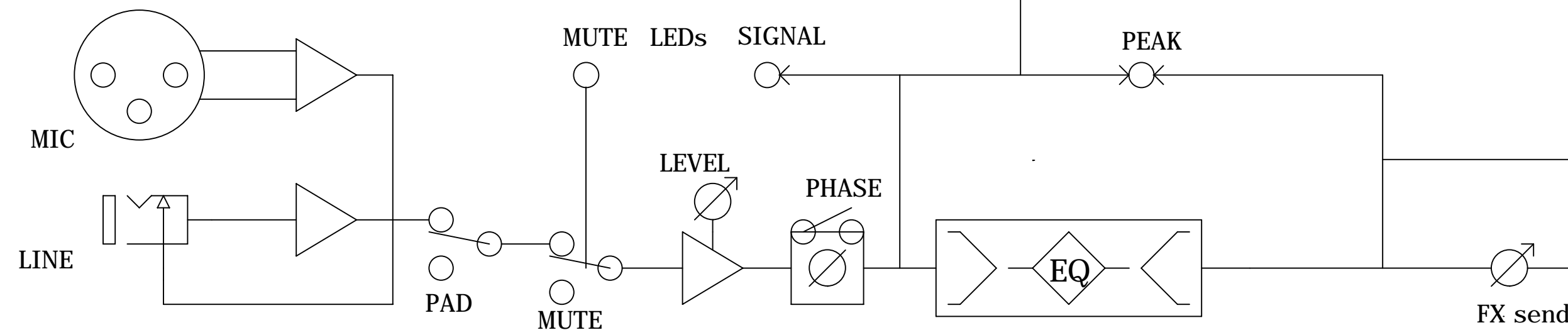


REVISION RECORD			
LTR	ECO NO.	APPROVED:	DATE:

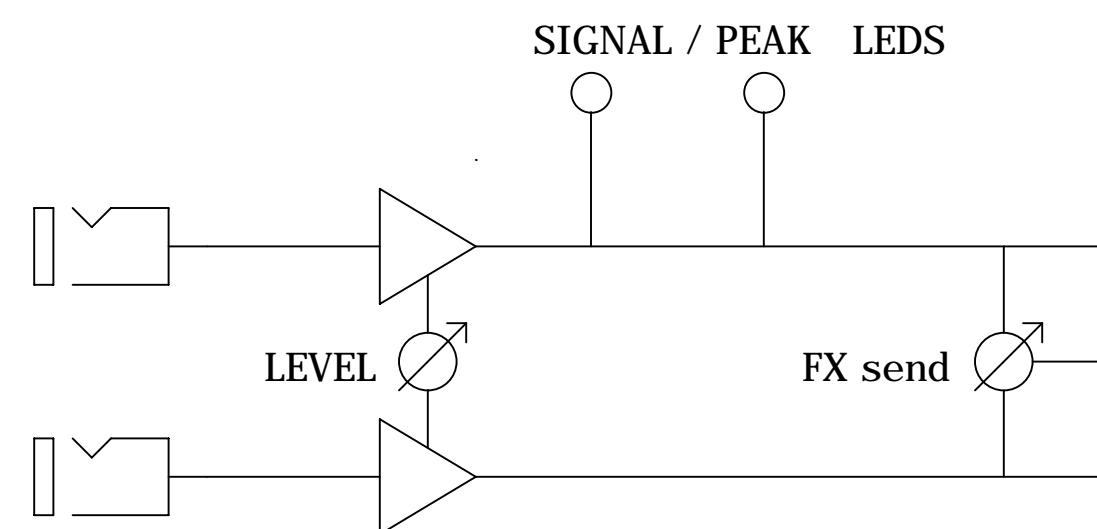
CHAN 1



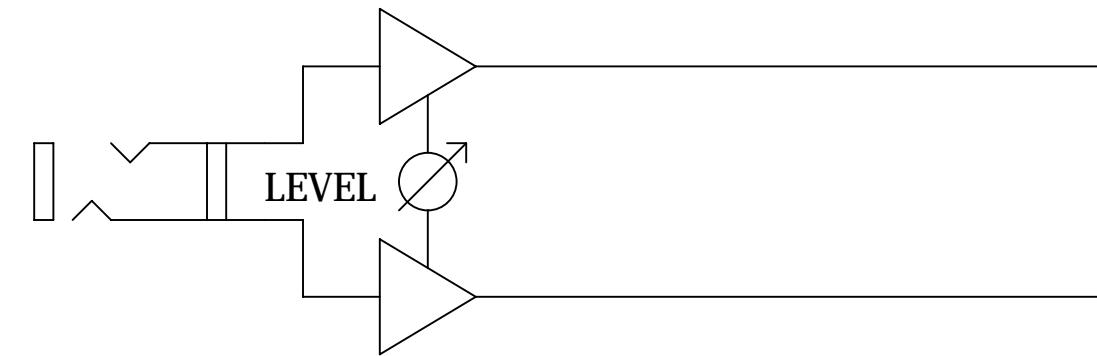
CHAN 2



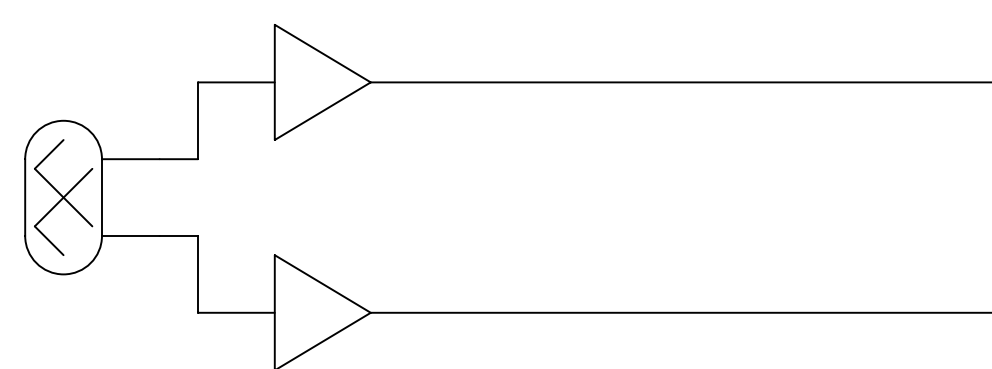
CHAN 3/4



AUX IN



BLUE TOOTH



DIR OUT
L R FX 1 2

DIR 1/2 or MAIN SELECT

LEFT OUTPUT

RIGHT OUTPUT

SIGNAL LEDs CLIP

TWEETER

LEFT CHAN ONLY

WOOFER

MONITOR RIGHT OUTPUT

DRY

FX MIX

WET

FX clip LED

16 FX

PGM DLY

FX bypass LED

FOOTSWITCH ARRAY

FX bypass

TIP = CH 1 MUTE

Footswitch 2

TIP = CH 2 MUTE

Footswitch 3

COMPANY: ELITE ACOUSTICS

TITLE: A4-8 BLOCK DIAGRAM

DRAWN: <Drawn By>	DATED: 04_12_17
CHECKED: <Checked By>	DATED: <Checked Date>
QUALITY CONTROL: <QC By>	DATED: <QC Date>
RELEASED: <Released By>	DATED: <Release Date>

CODE: A4-8	SIZE: D	DRAWING NO: 123-TBD	REV: x C
SCALE: <Scale>			SHEET: 1 OF 1