

REVISION RECORD			
LTR	ECO NO.	APPROVED:	DATE:

D

C

B

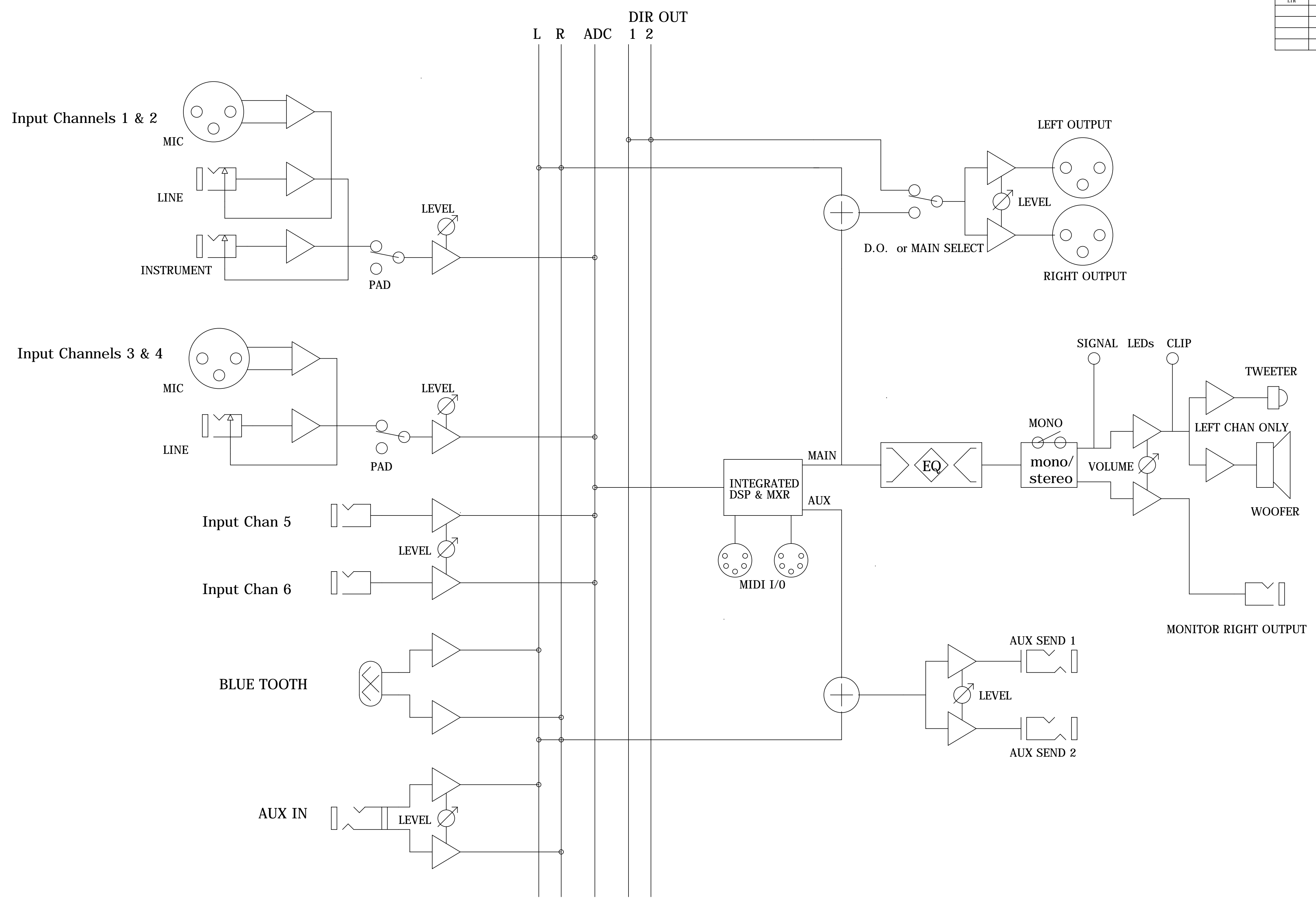
A

D

C

B

A



COMPANY: ELITE ACOUSTICS			
TITLE: D6-8 BLOCK DIAGRAM			
DRAWN: <Drawn By>	DATED: 04_01_17	CODE: D6-8	SIZE: D
CHECKED: <Checked By>	DATED: <Checked Date>	DRAWING NO: 049	REV: xA
QUALITY CONTROL: <QC By>	DATED: <QC Date>	SCALE: <Scale>	
RELEASED: <Released By>	DATED: <Release Date>	SHEET: 1 OF 1	