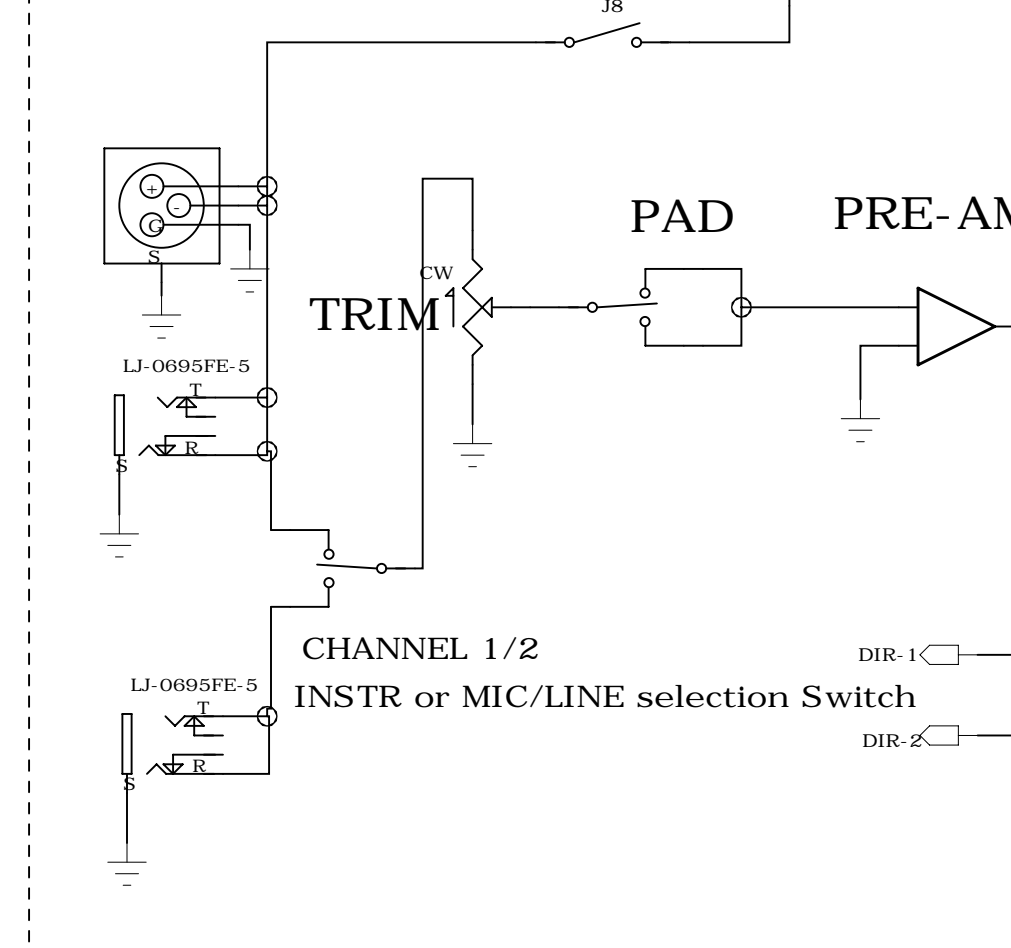
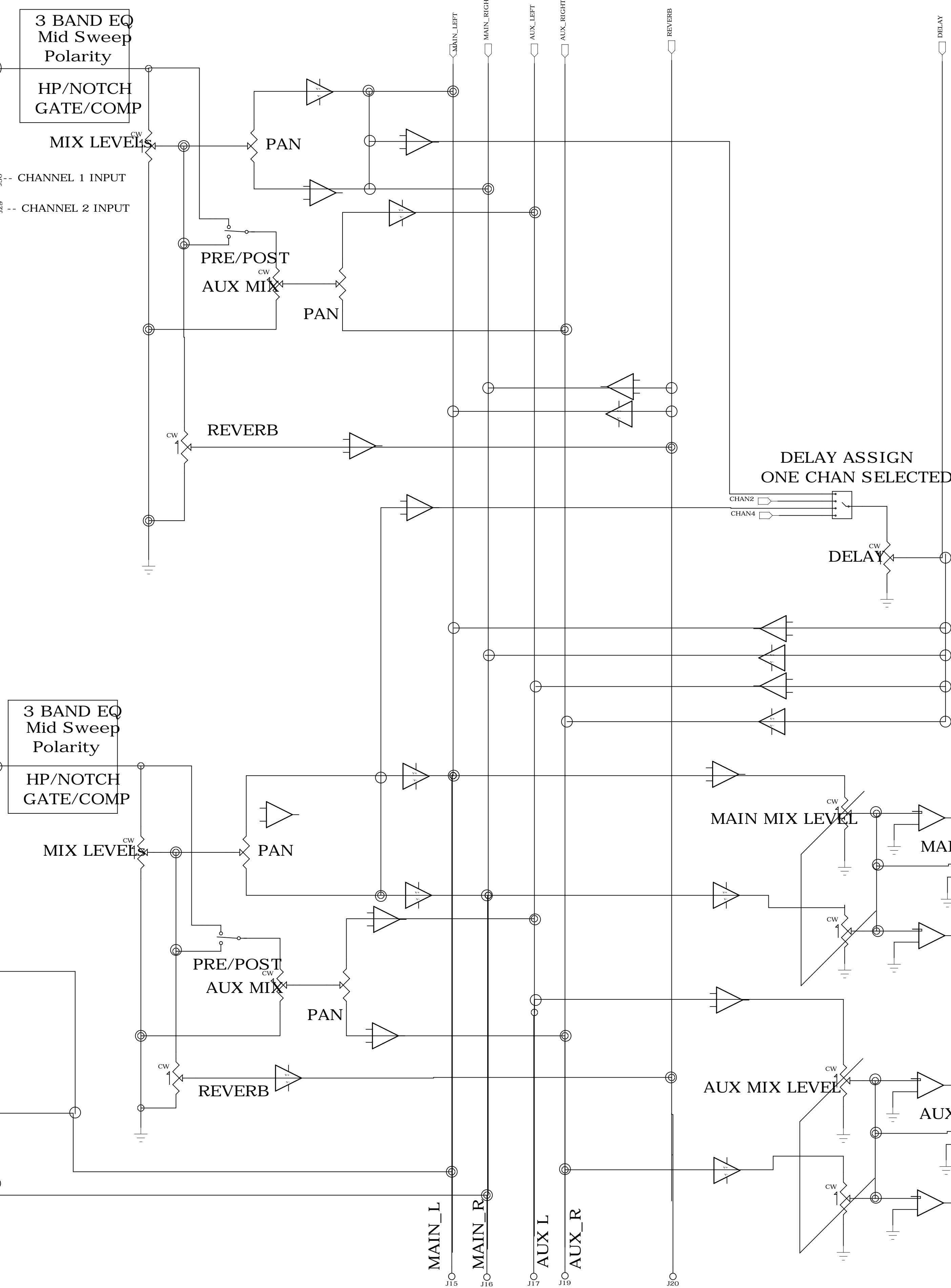


# Analog Controls

CHANNEL 1 - 3



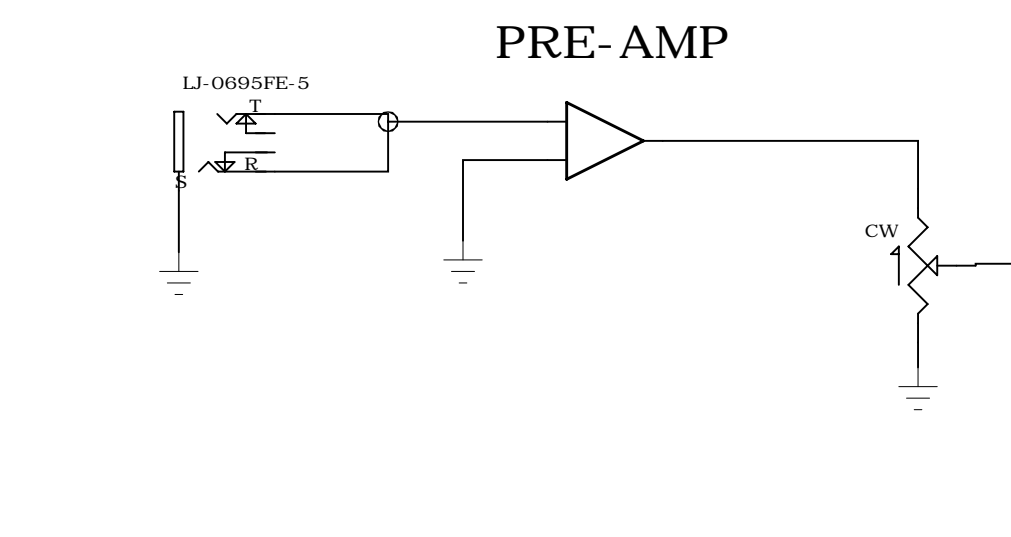
CHANNELS 1-2-3 are the SAME Main Mix AUX Mix



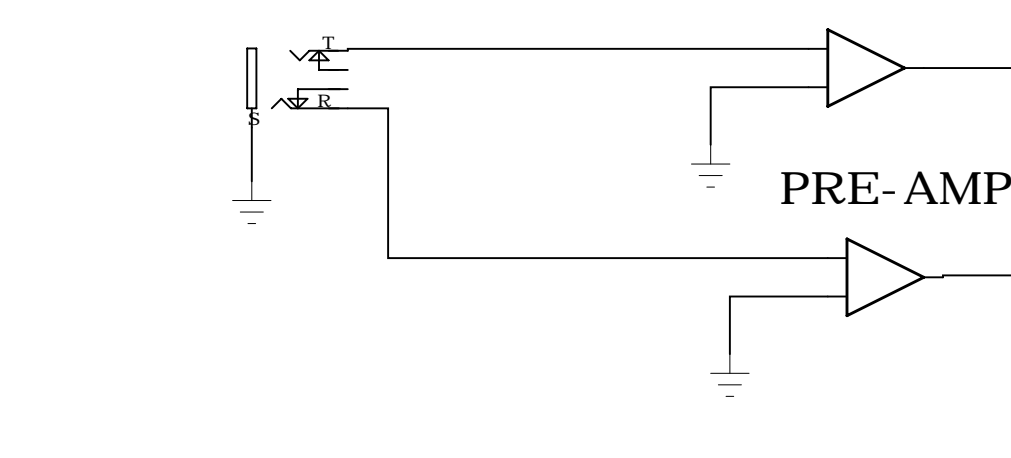
INPUT METER

# Analog Controls

CHAN 4



AUX INPUT (STEREO 1/8" JACK)



ELITE ACOUSTICS ENGINEERING INC.

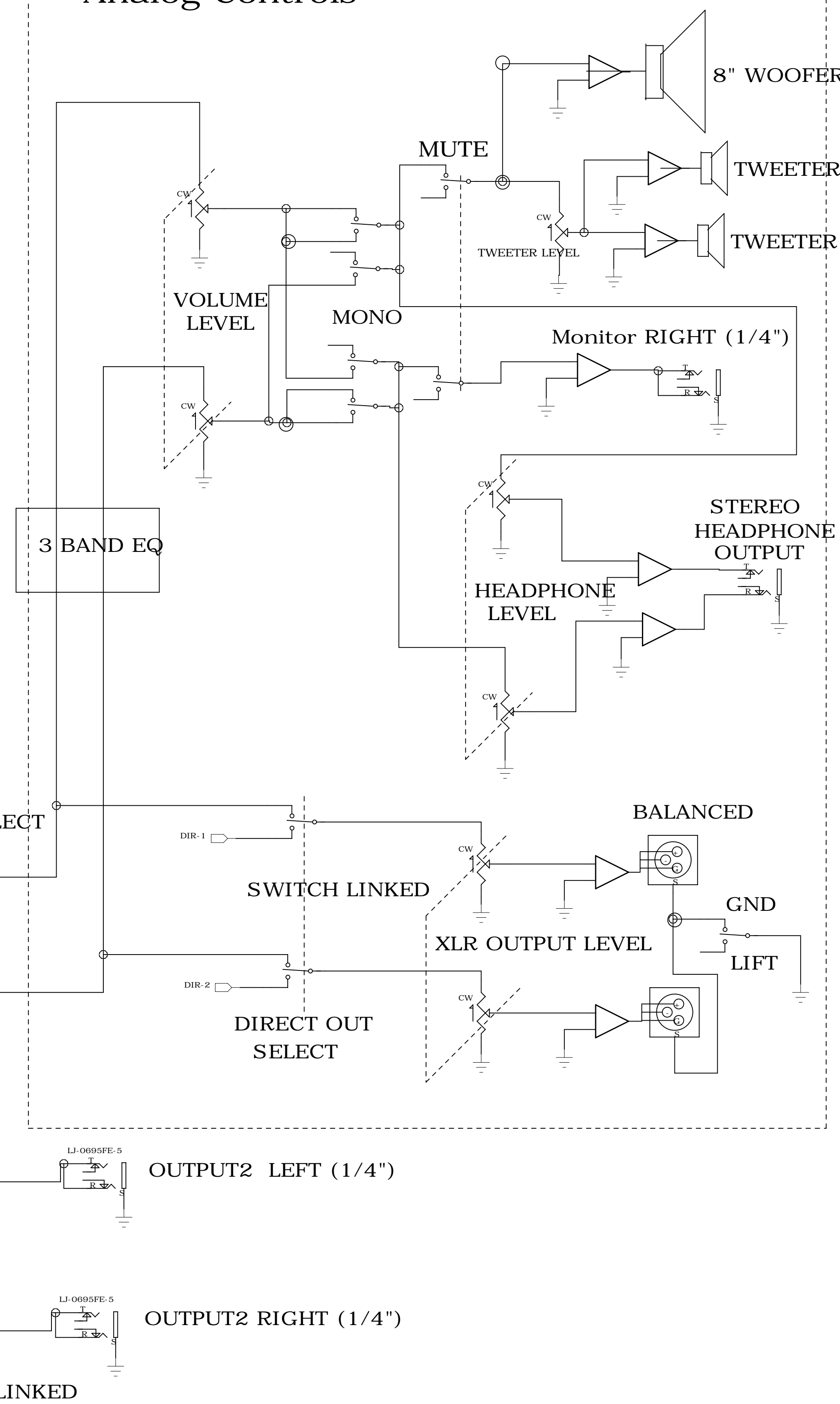
ToneWeaver 4-8

FREQUENCY RESPONSE:  
65Hz - 19KHZ +/- 3db

IMPEDENCE:  
 CHAN 1/2/3 INPUT XLR - 1K OHM  
 CHAN 1/2/3 INPUT TRS - 10K OHM  
 CHAN 1/2 INSTR INPUT TS - 1M OHM  
 CHAN 4 - TS - 1M OHM  
 OUTPUT 1 TRS - 150 OHM  
 OUTPUT2 1/8" - 150 OHM.

# Analog Controls

SPEAKER OUTPUT IS MONITOR LEFT



Main Mix AUX Mix REVERB

SWITCH LINKED